

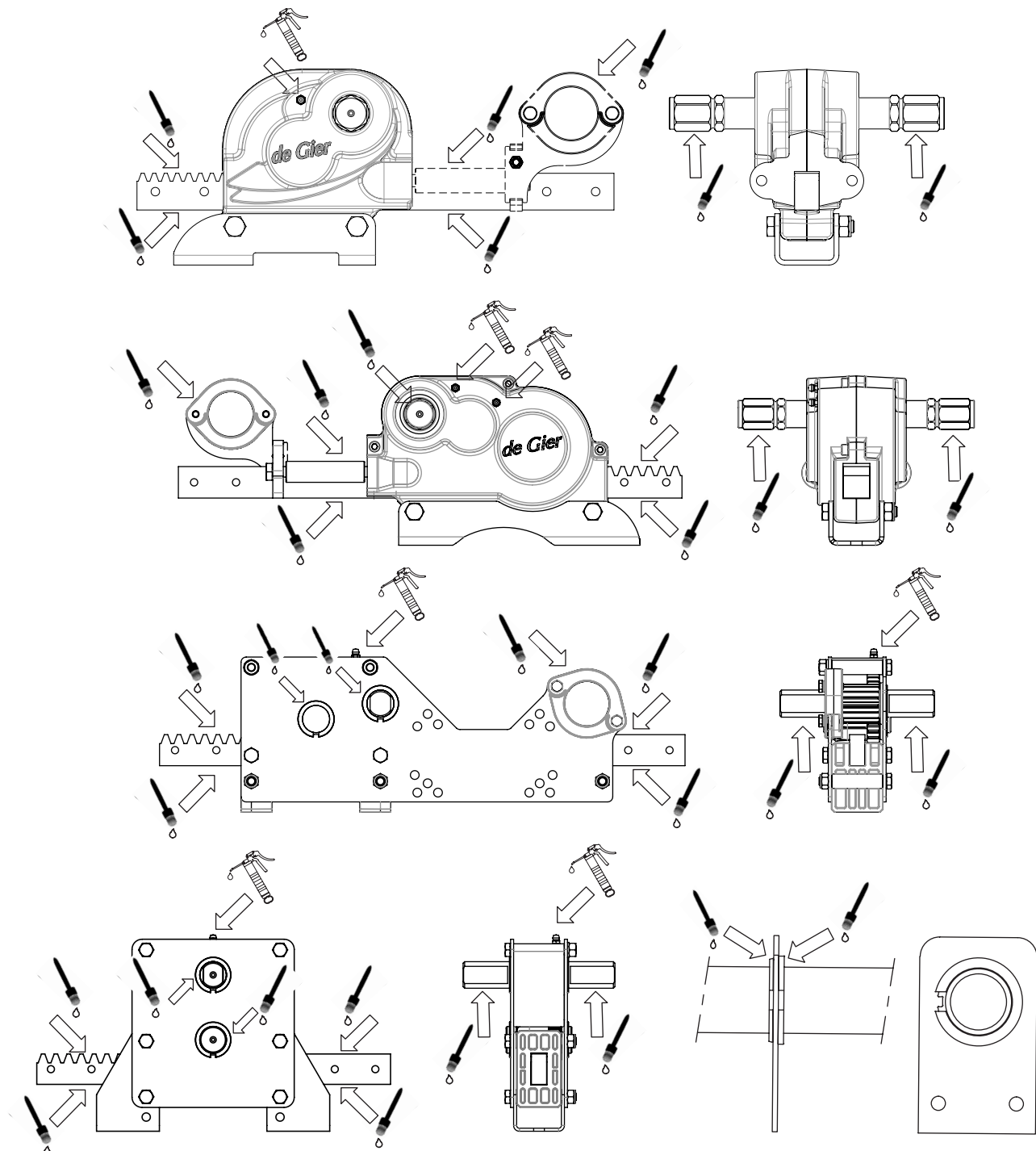


Lubrication manual THG gear units & racks

Lubrication instructions THG25-42-55-76 gear units and racks

Please read following instructions carefully when lubricating the P.THG25, THG42, THG55 and THG76 gear units and racks:

- Lubricate in the areas indicated: Slide bearings, pinion and gear rack. Lubricate gear racks on the top, bottom and sides.
- Also lubricate the SW20mm & SW26mm connection shafts to ensure smooth operation of the slide welding couplings during shrinking or expanding of drive shafts due to temperature differences.
- Lubricants: De Gier THG grease P.SME.THG5000.
- Lubricate amount THG25 R+RK 0,3 gr/cm | THG42 R+RK 0,4 gr/cm | THG55 R+RK 0,4 gr/cm | THG76 R+RK 0,5 gr/cm.
- Maintenance interval: **every half year**.

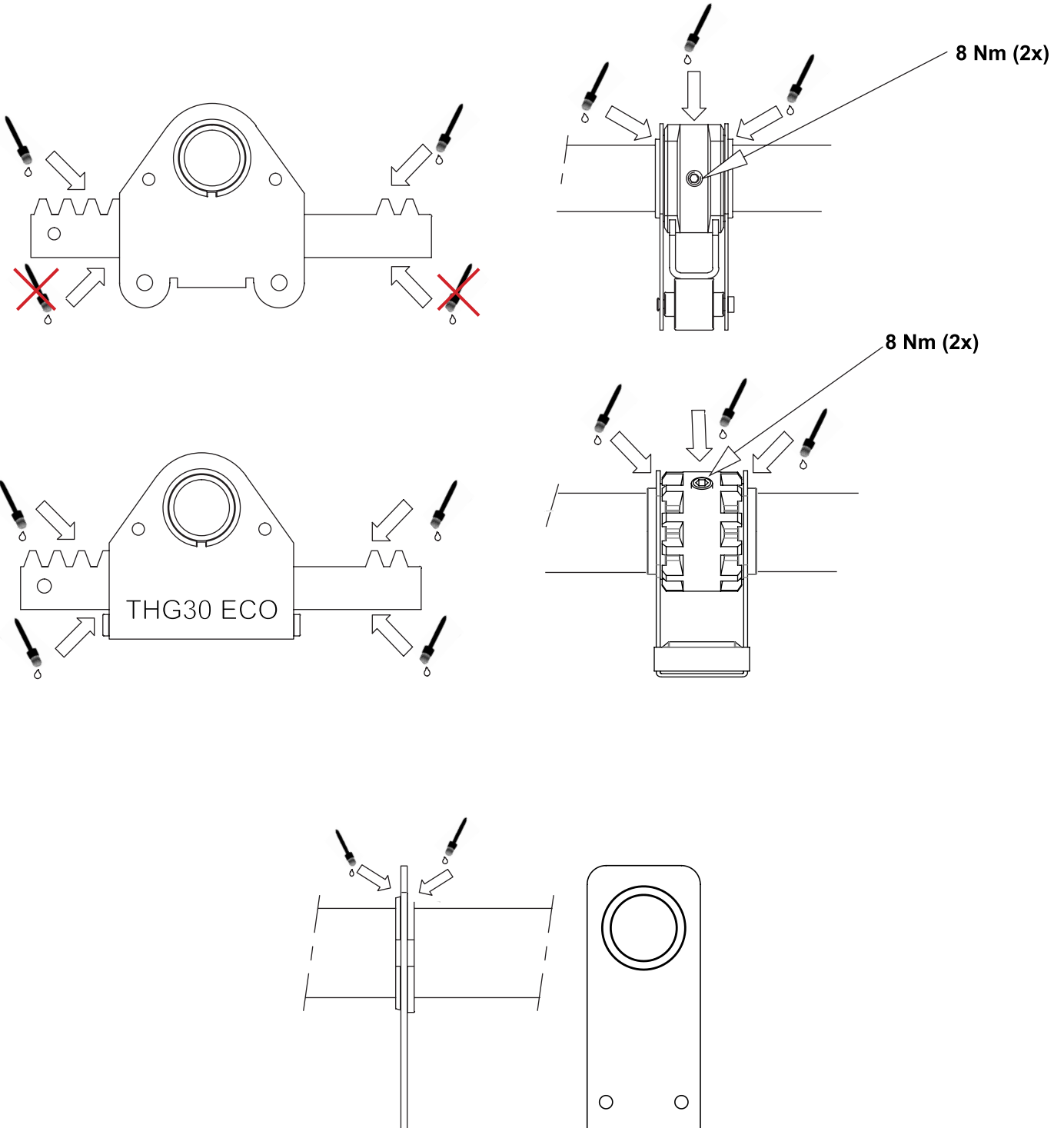


If you have any questions, please contact us at sales@degierdrivesystems.com

Lubrication instructions THG30 rack and pinions

Please read following instructions carefully when lubricating the P.THG30 rack and pinions:

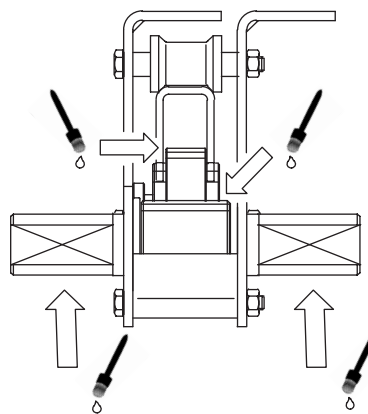
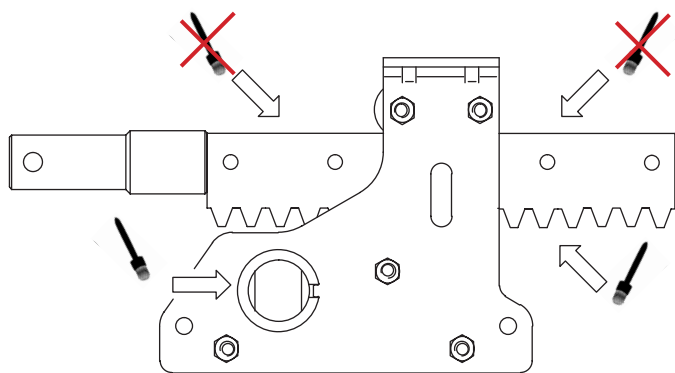
- Lubricate in the areas indicated: Slide bearings, pinion, gear rack.
- Lubricants: De Gier THG grease P.SME.THG5000.
- Lubricate amount ca. 0,18 gr/cm.
- Maintenance interval: **every half year.**



Lubrication instructions THG40 gear units and racks

Please read following instructions carefully when lubricating the P.THG40 gear units and racks:

- Lubricate in the areas indicated: Slide bearings, pinion, SW20mm connection shafts and gear rack.
- Also lubricate the SW20mm connection shafts to ensure smooth operation of the slide welding couplings during shrinking or expanding of drive shafts due to temperature differences.
- Lubricants: De Gier THG grease P.SME.THG5000.
- Lubricate amount ca. 0,18 gr/cm.
- Maintenance interval: **every half year**.



Lubrication instructions THG10S-24S-49S swing ventilation rack and pinions

Please read following instructions carefully when lubricating the P.THG10S-24S-49S swing ventilation rack and pinions:

- Lubricate in the areas indicated: Slide bearings, pinion, SW20mm connection shafts and gear rack.
- Also lubricate the SW20mm connection shafts to ensure smooth operation of the slide welding couplings during shrinking or expanding of drive shafts due to temperature differences.
- Lubricants: De Gier THG grease P.SME.THG5000.
- Lubricate amount ca. 0,18 gr/cm.
- Maintenance interval: **every half year**.

